



## Product Data Sheet

# TVR40

TruVision™ Line DVR 40, 4-, 8-, or 16- ch. H.264 Digital Recorder

### Most Advanced Value Line DVR

The TruVision™ DVR 40 (TVR 40), the third DVSR generation is a cost-effective, full size digital video recorder with 4-, 8- or 16 channel capability, utilizing H.264 compression technology which offers real-time recording per channel at CIF resolution.

### High capacity and robustness

Not only can the TVR 40 family record extra-high quality images, it can store up to 12Tbytes (equivalent to several years of storage), and can archive video on a CD/DVD, a USB memory stick, and eSATA devices. The TVR 40 has advanced Self-Monitoring and Reporting Technology (SMART) and sophisticated PowerSaving features which extend the lifetime of the HDD by idling those not in use.

### PTZ control

TruVision™ DVR 40 allows controlling PTZ cameras either via the IR remote control, the new multifunctional frontpanel joystick or by using the mouse. TVR 40 supports additionally the new TVK-505 remote control keypad.

### Dual Streaming

The TruVision™ DVR 40 dual streaming functionality allows the user to set up different settings for recording and streaming video in live mode.

### Remote Operation

The easy and intuitive-to-use web browser interface enables remote configuration and secure viewing, searching, and playing back of video from most computers via the Internet.

### Easy to use

Despite all its advanced functions, the TVR 40 has an easy to learn web browser and a multi-language OSD menu, icon-driven user interface.



### Standard Features

- TVR 40 is a 3rd generation DVSR with enhanced design and built-in CD/DVD burner
- 4, 8 or 16 channels real-time recording at CIF resolution
- Video authentication ensures video authenticity
- PTZ and Dome camera control via mouse, front panel joystick and IR remote controller
- Dual streaming functionality allows to use different settings for recording and streaming video
- Email Notification upon alarm w. attached images
- Dual monitor support - independently configurable full- and multi-screen
- Ability to fully integrate with the license-free GE Nav software and TVRmobile software
- Networkable via Ethernet (TCP/IP) for remote monitoring, searching, playback, archiving, configuration, alarm notifications and firmware upgrades
- Features up to 12 Tbytes internal storage
- SMART and PowerSaving supported for extended HDD lifetime
- English and 16 European-languages OSD menu
- HDD designed for 24x7 operation and high write duty cycles
- Auto Back Up – configurable per camera
- Ability to fully interoperate with the TVK-505 keypad
- ATM ready with more than 10 built- in protocols
- Compliant to the German BGV Kassen decree
- Compliant to the French decree from August 3rd. 2007

# TVR40

TruVision™ Line DVR 40, 4-, 8-, or 16- ch. H.264 Digital Recorder

## Specifications

### Video

- Conditioning: AGC, 0.7 to 1.4 V p-p video accepted
- Horizontal resolution: 704 pixels
- Vertical resolution: 576 lines
- Video compression standard: H.264
- Monitor A composite: Full & Multi-Screen output, BNC connector, NTSC/EIA or PAL/CCIR compatible
- VGA : Same display content as monitor A
- Monitor B composite: Full & Multi-Screen output, BNC connector, NTSC/EIA or PAL/CCIR compatible
- Multi-Screen display TVR 4004: Full, and quad
- Multi-Screen display TVR 4008: Full, quad and 9 up
- Multi-Screen display TVR 4016: Full, quad, 9, 12 and 16 up

### Recording

- Hard drive: 6-HDD SATA supporting SMART
- Resolution: 4CIF (704x576), 2CIF (704x288), CIF (352x288) and QCIF (176x144)
- TVR 4004: 100fps CIF, 50fps 2CIF, 25fps 4CIF
- TVR 4008: 200fps CIF, 100fps 2CIF, 50fps 4CIF
- TVR 4016: 400fps CIF, 200fps 2CIF, 100fps 4CIF
- Bandwidth: Up to 2 Mbit/sec. per ch. scalable
- Mode: Manual, Schedule, Motion and Alarm

### Audio

- Compression standard: OggVorbis, 16 Kbps
- Input: 4, 8 or 16 channels, BNC
- Output: 1 BNC

### Video Motion, Privacy Masking and Tampering detection

- Zones per camera: 396 zones per camera (22 x 18 grid)

### Operation

- OS: VxWorks real-time OS
- Languages: English & 14 European languages
- Users: Admin, Manager, Operator & 13 additional

### Network

- Type: 10/100 Base-T, RJ-45
- Protocol: TCP, IP, ARP, RARP, PPP, PPPoE, DHCP,SNMP
- Others: ADSL modem and PSTN line for alarm video transmission
- e-SATA: 1

### Archive

- Audio and Video: Via built-in CD/DVD burner, USB2.0 or e-SATA

### Connectors

- RS-232 serial port: RJ-45
- RS-485 PTZ control port: Screw terminal strip
- USB: 1
- Keypad: Screw terminal strip

### Alarm Handling

- Alarm Monitor: Mon A or B (configurable)
- Alarm input: 4, 8 or 16 programmable NO/NC
- Alarm output: Form C alarm relay (4)

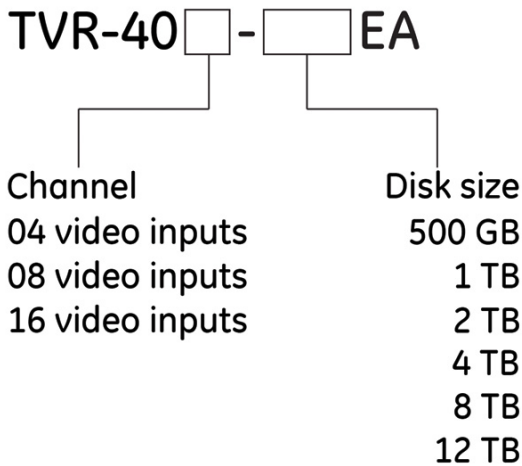
### Miscellaneous

- Input voltage: 90 to 135 VAC / 180 to 256 VAC, 47 to 63 Hz
- Power consumption: max 126 W
- Temperature: -10 to +50°C
- Relative humidity: 10 to 90%
- Dimensions (W x H x D): 435 x 95 x 455 mm, 19-inch (2U)
- Weight: Max. 11 kg
- Mounting: Rack mount kit optional

### Remote Software Requirements

- Intel-based PC: 1 GHz or faster
- Memory: 1 GB RAM minimum
- Operating system: Windows® XP, Vista or Windows 7
- DirectX: 9.0 or later
- Browser: Microsoft® Internet Explorer 6.0 or later

## Diagram



## Ordering Information

### TVR40

TruVision™ DVR 40, 4-, 8-, or 16- ch. H.264 DVR, real-time CIF, remote software, bi-directional audio

